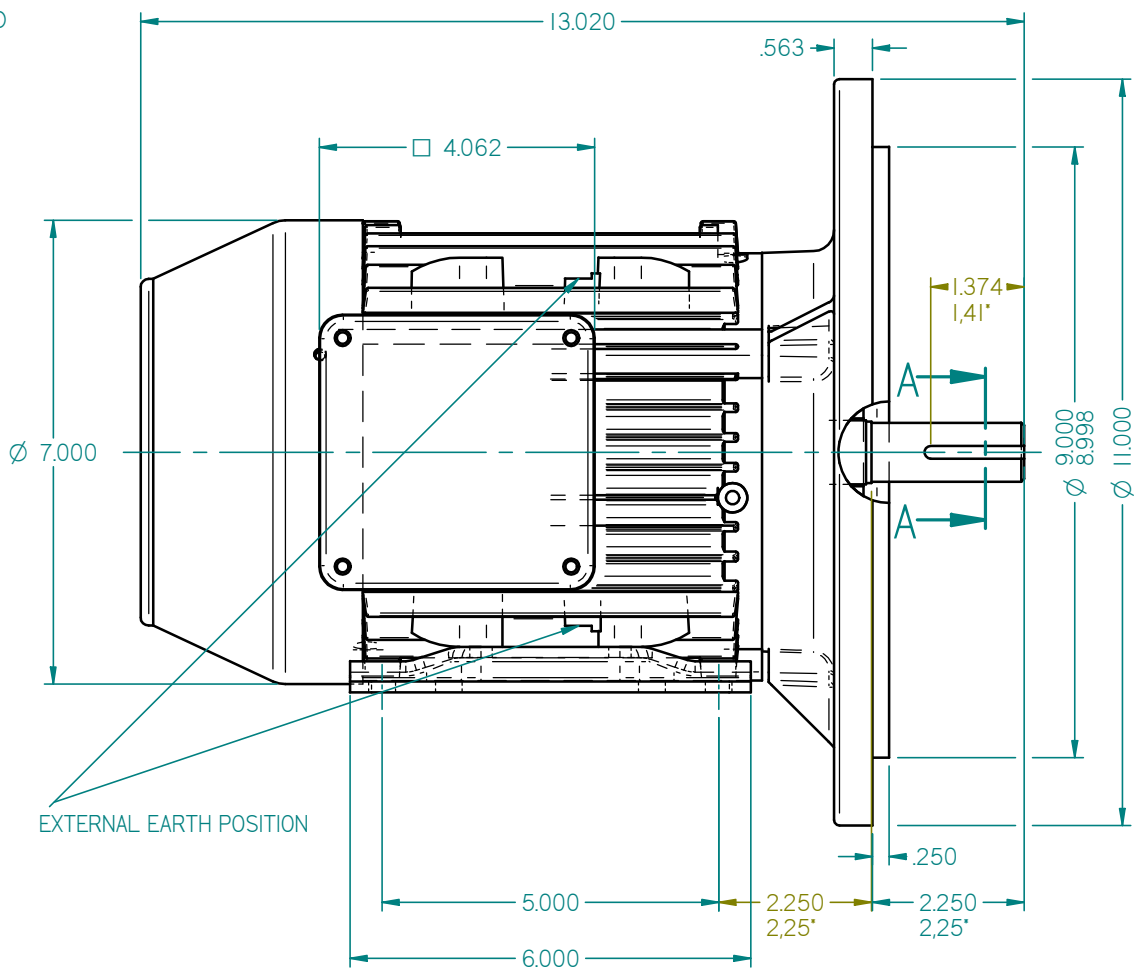
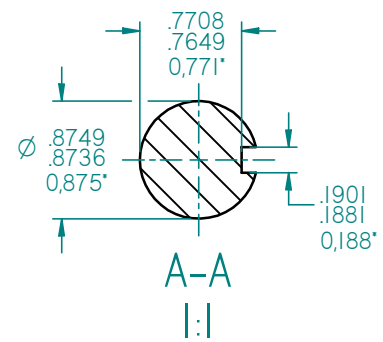


4 HOLES 0.531" EQUI-SPACED AS SHOWN ON A 10" PCD



*NEMA DIMENSION STANDARDS PUBLICATION

STANDARD TERMINAL BOX POSITION IS 9 O'CLOCK AS SHOWN.
CONDUIT ENTRIES:- TERMINAL BOX CAN BE ROTATED AT 90° INTERVALS
(CONDUIT ENTRY POSITION SHOWN FOR ILLUSTRATION ONLY)



ALL DIMENSIONS IN INCHES

FIRST ANGLE PROJECTION



| | | |
|------------------|---------|--|
| SHEET SIZE A3 | TITLE: | OUTLINE DIMENSION DRAWING W ALUMINIUM TOTALLY ENCLOSED FAN COOLED WP-DA145TD-J2 4P FRAME FOOT & D FLANGE MOUNTED MOTOR |
| | DRAWN | DL 23-11-11 |
| | CHECKED | |
| | SCALE | 1 : 2 |

| | | |
|-----------|----------|-----------|
| NAME | DATE | DRG. No. |
| DL | 23-11-11 | DRG. REF. |
| REVISION: | | DATE: |